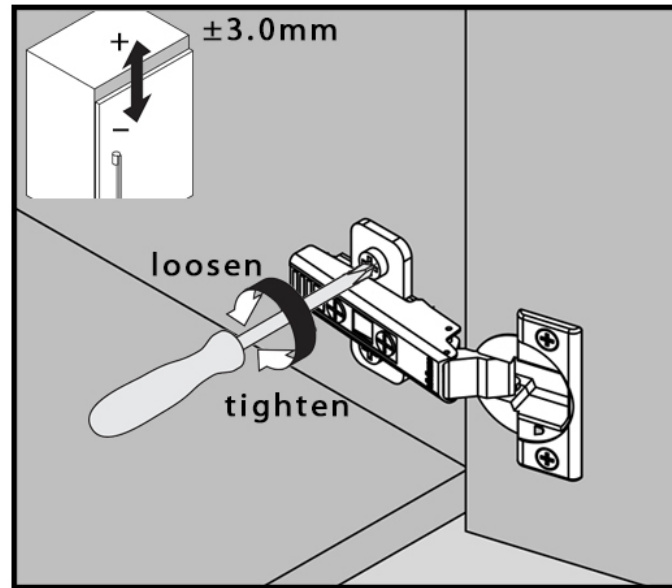
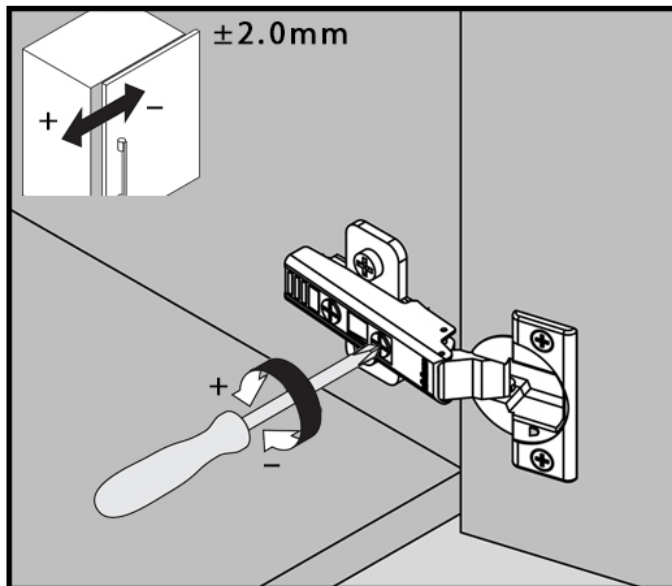


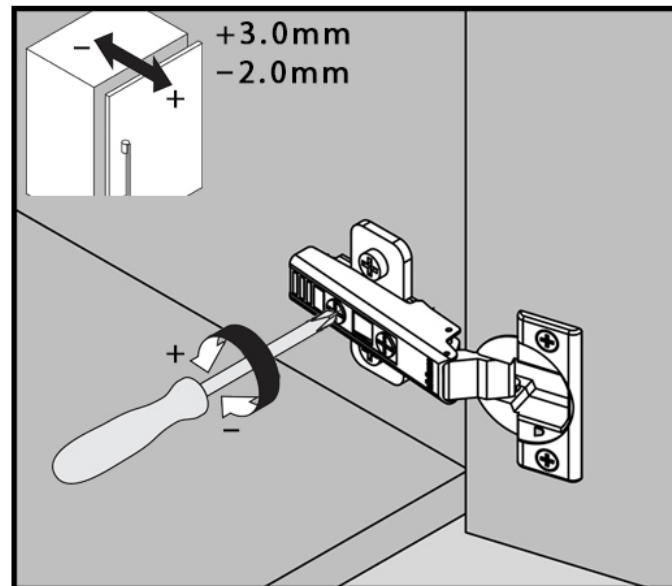
COVER CAP REMOVAL



HEIGHT ADJUSTMENT



SIDE ADJUSTMENT



DEPTH ADJUSTMENT

STANDARD HINGE
ADJUSTMENTS

