



# ADJUSTING HINGES

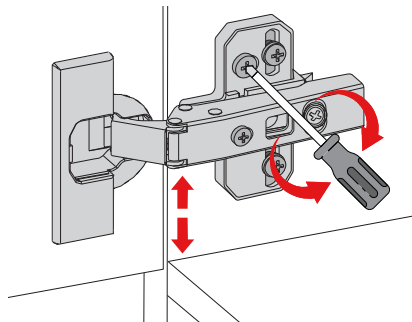
Our cabinets, which close softly and effortlessly, are built with durable hinges that last for years. From time to time, though, you'll have to tighten the hinges' screws. Over a period of time, they do tend to loosen slightly, even with normal use.

Rotate the adjustment screw clockwise or counter-clockwise until you find the proper positioning.

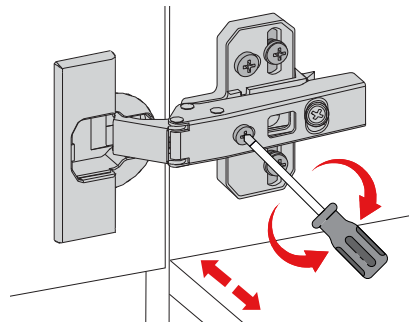
## STANDARD HINGES

---

### UP AND DOWN



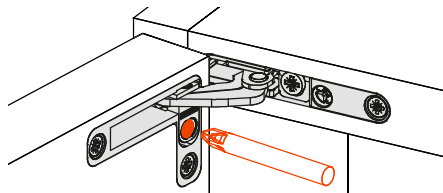
### LEFT AND RIGHT



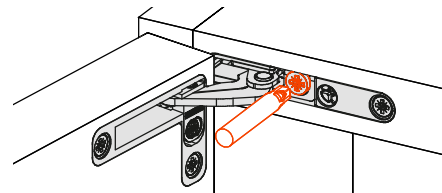
## CONCEALED HINGES

---

### UP AND DOWN



### UP AND DOWN



### DISTANCE BETWEEN THE CABINET AND THE DOOR

